

LOCALITY PLAN
N.T.S.

SERVICE CONNECTIONS

TOTAL 184 CONNECTIONS

- SINGLE SERVICES IN ACCORDANCE WITH WAT-1106-V
 - 10 x SHORT SIDE
 - 6 x LONG SIDE
- SPLIT SERVICES IN ACCORDANCE WITH WAT-1107-V
 - 57 x SHORT SIDE
 - 27 x LONG SIDE

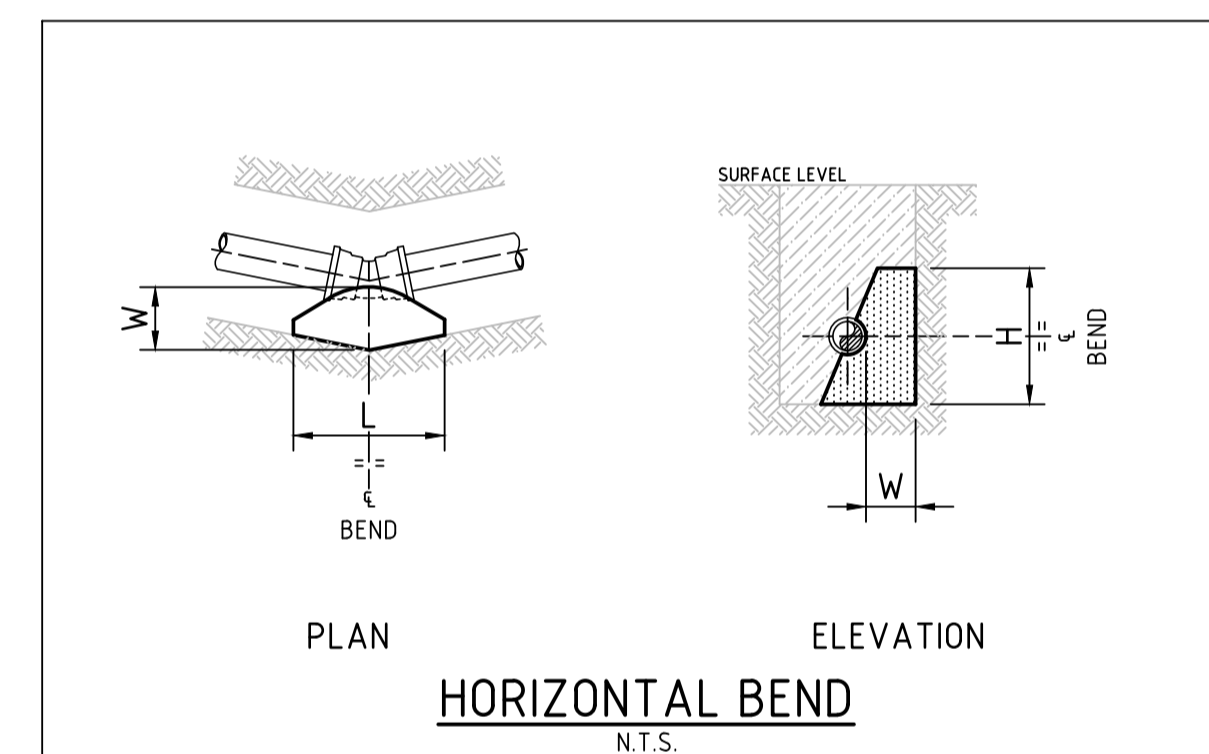
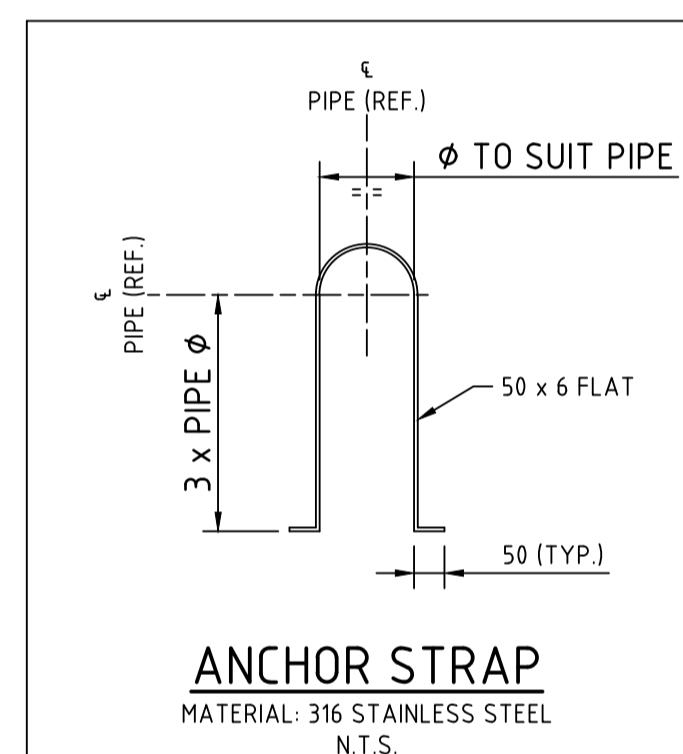
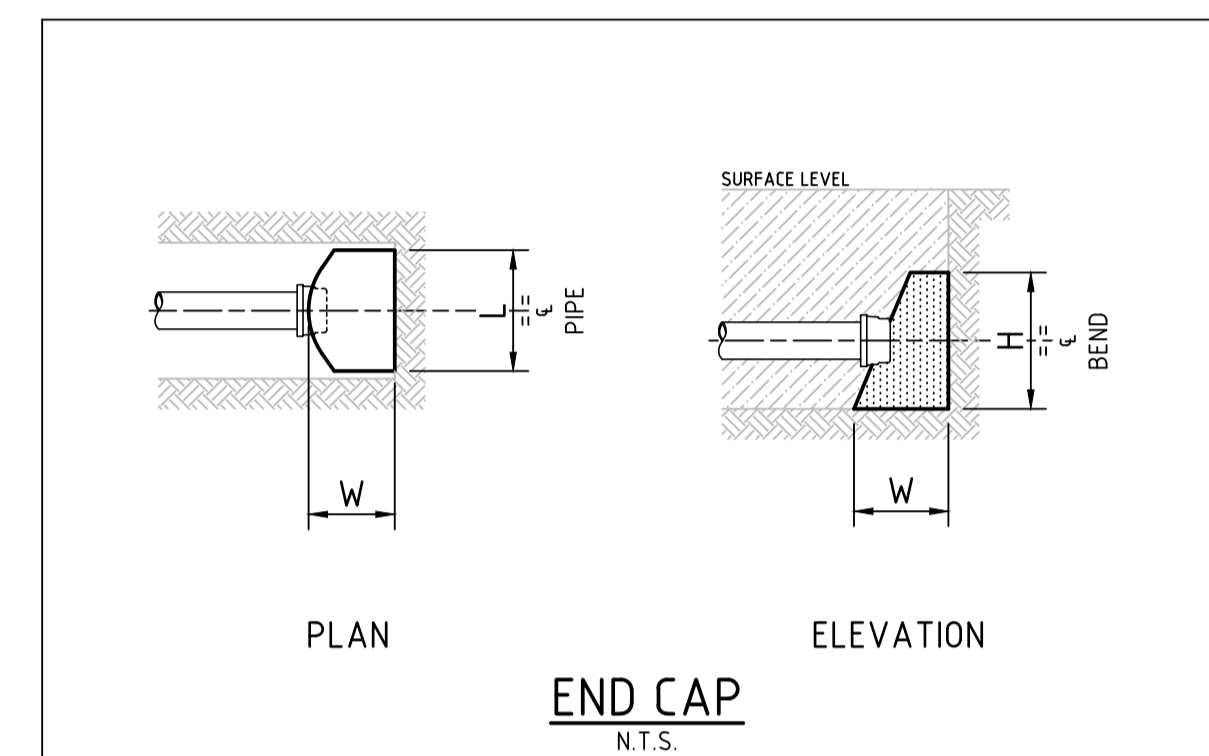
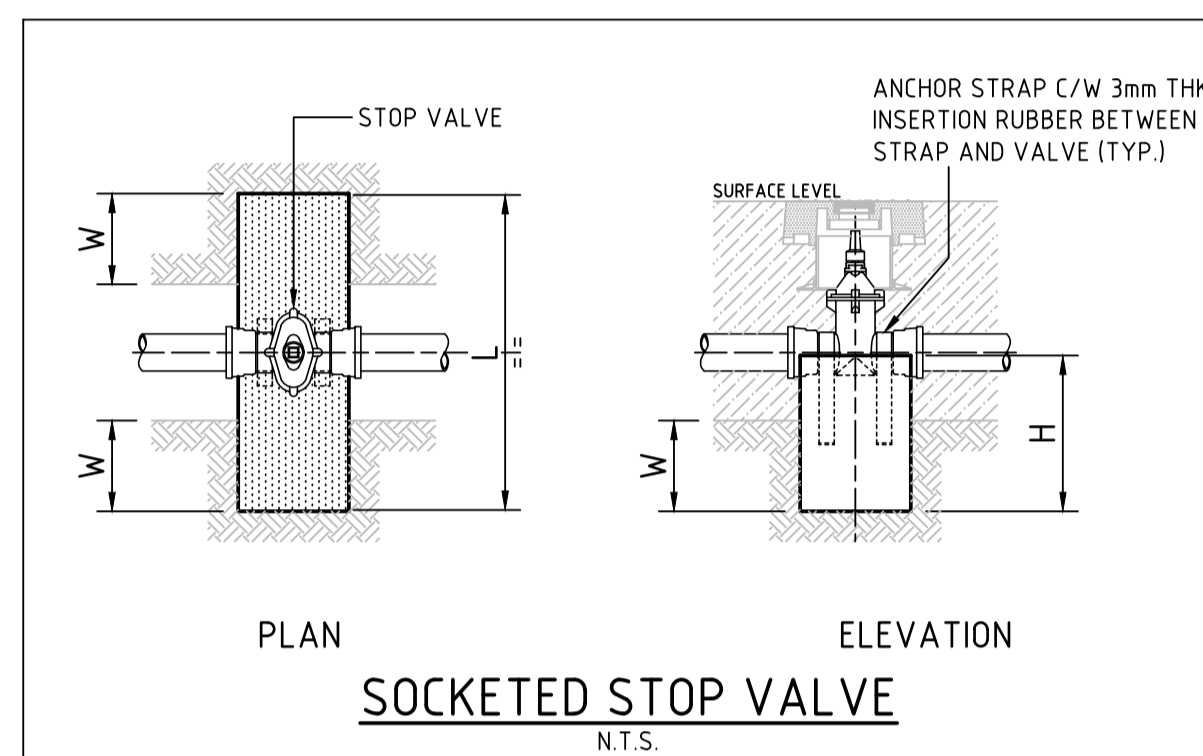
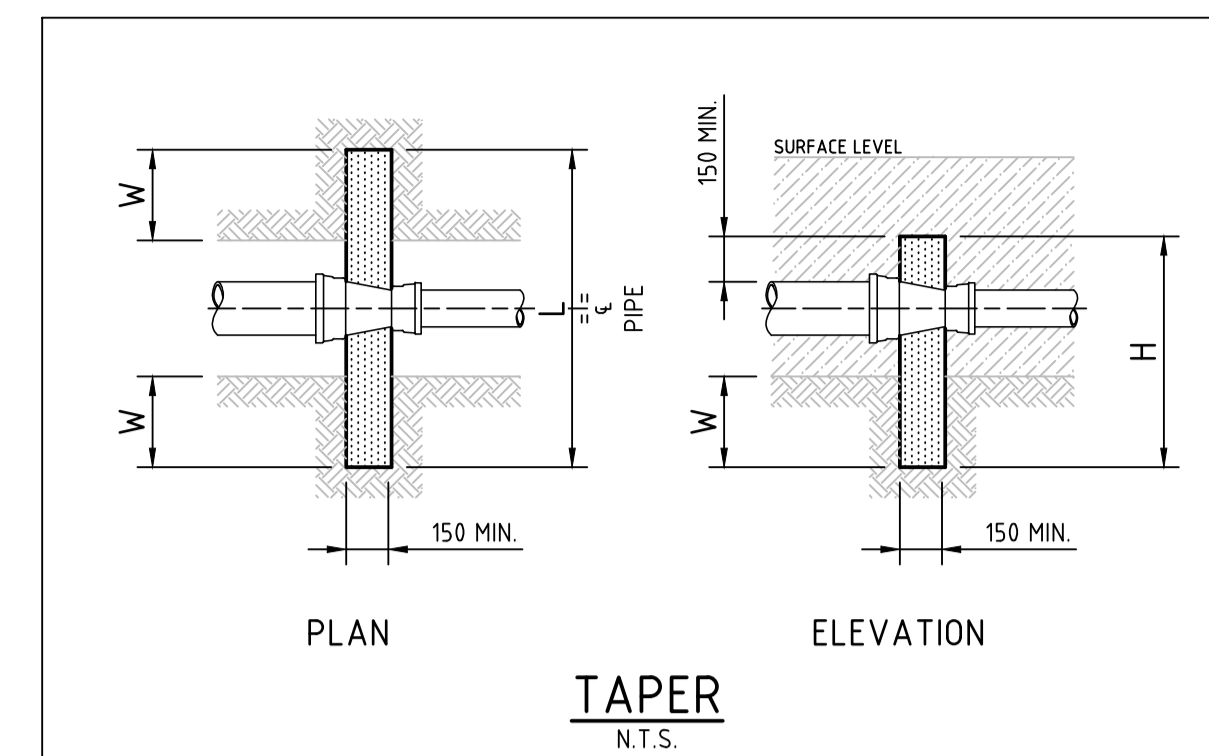
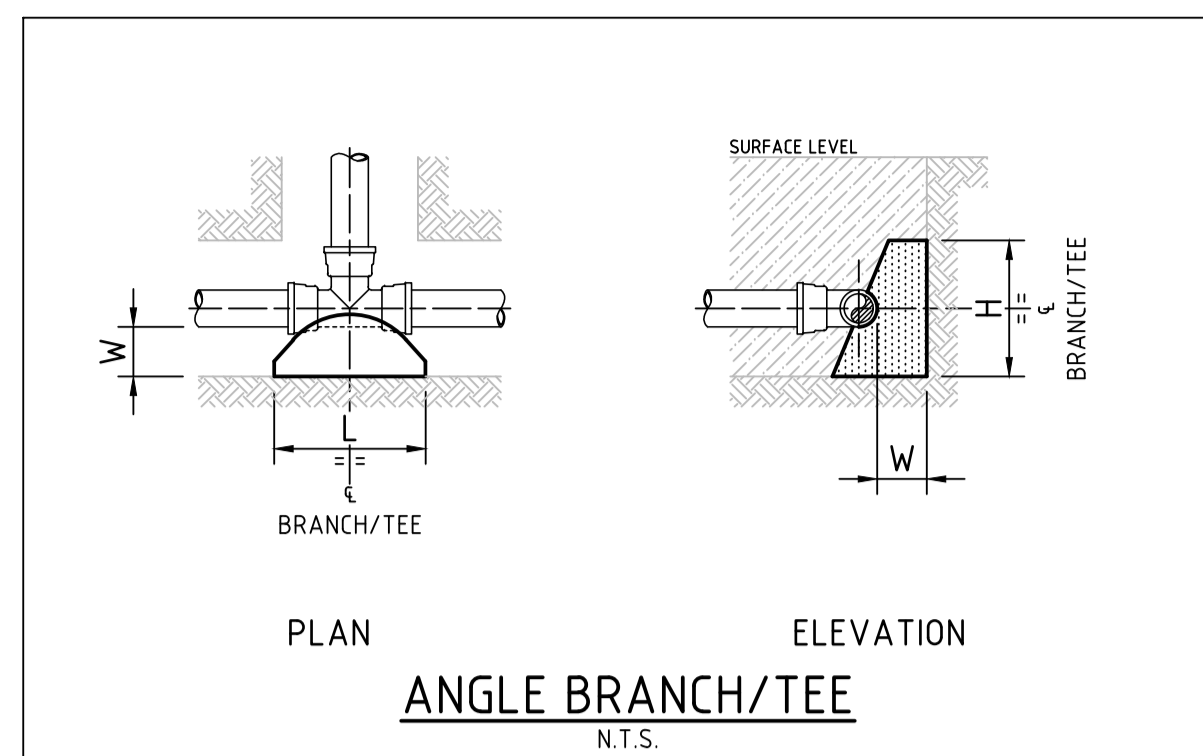
CONSTRUCTION NOTES:

- WORKS MUST BE CONSTRUCTED IN ACCORDANCE WITH THE DESIGN DRAWINGS, CONSTRUCTION SPECIFICATION, WSA 03 HWC EDITION PART 3 - CONSTRUCTION AND WSA 03 HWC EDITION STANDARDS DRAWINGS.
- THE CONSTRUCTOR IS TO VERIFY THE POSITIONS AND LEVELS OF ALL EXISTING AND PROPOSED BOUNDARIES, SERVICES, PIPES, CABLES AND CONDUITS.
- CLEARANCES SHOWN TO OTHER PIPES HAVE BEEN CALCULATED FROM THE COLLAR.
- ALL PRODUCTS AND MATERIALS TO BE SELECTED FROM THE HWC APPROVE PRODUCTS AND MATERIALS REGISTER.
- HYDRANTS, STOP VALVES AND ALL OTHER FITTINGS TO BE THE SAME SIZE AS THE THROUGH WATER MAIN, MUST BE POSITIONED CLEAR OF DRIVEWAYS AND IN ACCORDANCE WITH WSA03-2011-3.1 PART 1, SECTION 8 - APPURTENANCES, AND APPENDIX H.
- ALL PIPES AND FITTINGS TO BE AT HWC PREFERRED MINIMUM COVER (WAT-1201-V).
 - FOOTWAYS - 0.6m TYPE B EMBEDMENT WAT-1202.
 - ROADWAYS - 0.75m TYPE L EMBEDMENT WAT-1204-V.
- TESTING OF WATERMANS, INCLUDING SWABBING, FLUSHING, WATER QUALITY TESTING, PRESSURE AND CHLORINATION SHALL BE CARRIED OUT IN STRICT ACCORDANCE WITH WSA-03 HWC EDITION 2 AND HUNTER WATER SPECIFIC REQUIREMENTS INCLUDING STS-408. ALL TESTING TO BE CARRIED OUT UNDER DIRECT SUPERVISION OF THE DESIGN CERTIFIER OR HUNTER WATER REPRESENTATIVE. A MINIMUM OF 14 DAYS NOTICE PRIOR TO TESTING BEING UNDERTAKEN IS REQUIRED. CONNECTION TO, OR OPERATION OF ANY EXISTING SYSTEM VALVES CANNOT BE UNDERTAKEN UNTIL THE DESIGN CERTIFIER OR HUNTER WATER REPRESENTATIVE HAS PASSED AND VALIDATED ALL TESTS MENTIONED ABOVE AND GIVEN WRITTEN APPROVAL TO THE CONTRACTOR TO PROCEED WITH CONNECTION.
- TRENCH DETAILS AS PER WAT-1250-H TO BE ADOPTED UNLESS STATED OTHERWISE. ALL CONTRACT QUANTITIES TO BE BASED ON STANDARD TRENCH DETAILS UNLESS OTHERWISE ADVISED.
- WHERE WATER MAIN IS LAID AT GRADES IN EXCESS OF 5% REFER TO WSA03-2011-3.1 PART 1 SECTION 7.10 - BULKHEADS AND TRENCHSTOPS.
- ALL WORKS TO BE UNDERTAKEN IN ACCORDANCE WITH JEMENA'S "GUIDELINE TO DESIGNING, CONSTRUCTING AND OPERATING AROUND EXISTING AS2885 NATURAL GAS PIPELINES" REF: GAS-960-GI-PI-001. IT IS THE CONTRACTOR'S RESPONSIBILITY TO INFORM THE SUPERINTENDENT OF ANY INSTANCES REQUIRING DEVIATION FROM SAID STANDARD.

WATER PIPE DATA		
PIPE SIZE (mm)	PIPE MATERIAL	TOTAL LENGTH (m)
DN225	PVC-O SERIES 2 PN16	19.2
DN150	PVC-O SERIES 2 PN16	24.87.7
DN100	PVC-O SERIES 2 PN16	1073.1

SERVICE CLEARANCES		
SERVICE	HORIZONTAL (mm)	VERTICAL (mm)
WATERMAIN - DN375	600	300
WATERMAIN < DN375	300	150
GAS MAIN	300	150
TELECOMMUNICATIONS	300	150
ELECTRICITY	500	225
SEWER (GRAVITY)	1000	500
SEWER (PRESSURE)	600	300
STORMWATER	300	150
KERBS	150	150

REFER TO WSA03-2011-3.1 PART 1 TABLE 5.5 SHOULD MINIMUM CLEARANCES NOT BE ACHIEVABLE THE CONTRACTOR IS TO CONSULT WITH THE SITE SUPERINTENDENT.



TYPE	FITTING	SOIL STP (Kpa)	DESIGN STP (Kpa)	THRUST	TA (m²)	LENGTH (L)	HEIGHT (H)	WIDTH (W)
1	DN225 x DN150 REDUCING TEE	100	1000	25.00	0.25	0.50	0.50	0.40
2	DN225 x DN150 TAPER	100	1000	28.00	0.28	1.20	0.81	0.30
3	DN225 SOCKETED STOP VALVE	100	1000	53.00	0.53	1.30	0.58	0.35
4	DN225 END CAP	100	1000	53.00	0.53	0.75	0.71	0.40
5	DN150 x DN150 EQUAL TEE	100	1000	25.00	0.25	0.50	0.50	0.30
6	DN150 x DN100 REDUCING TEE	100	1000	12.00	0.12	0.40	0.30	0.30
7	DN150 x DN100 TAPER	100	1000	13.00	0.13	1.05	0.70	0.30
8	DN150 x 90° HORIZONTAL BEND	100	1000	35.00	0.35	0.60	0.59	0.30
9	DN150 x 45° HORIZONTAL BEND	100	1000	19.00	0.19	0.45	0.43	0.30
10	DN150 x 22.5° HORIZONTAL BEND	100	1000	10.00	0.10	0.34	0.30	0.30
11	DN150 x 11.25° HORIZONTAL BEND	100	1000	5.00	0.05	N	N	0.30
12	DN150 SOCKETED STOP VALVE	100	1000	25.00	0.25	1.05	0.46	0.30
13	DN150 END CAP	100	1000	25.00	0.25	0.50	0.50	0.30
14	DN100 x DN100 EQUAL TEE	100	1000	12.00	0.12	0.40	0.30	0.30
15	DN100 x 90° HORIZONTAL BEND	100	1000	17.00	0.17	0.43	0.40	0.30
16	DN100 x 45° HORIZONTAL BEND	100	1000	5.00	0.05	N	N	0.30
17	DN100 x 11.25° HORIZONTAL BEND	100	1000	5.00	0.05	N	N	0.30
18	DN100 SOCKETED STOP VALVE	100	1000	12.00	0.12	1.05	0.44	0.30
19	DN100 END CAP	100	1000	12.00	0.12	0.40	0.30	0.30

HGL = 100.0(m)
SYSTEM TEST PRESSURE (STP) = 1000kPa

THRUST BLOCK NOTES:

- "N" DENOTES NOMINAL THRUST AREA TO BE ACHIEVED BY POURING CONCRETE THE FULL LENGTH OF THE FITTING AND EXTENDING FROM THE FLOOR OF THE TRENCH TO NOM. 100mm ABOVE THE FITTING.
- CONCRETE THRUST BLOCKS ARE TO BE PROVIDED FOR ALL FITTINGS IN ACCORDANCE WITH TABLE.
- THRUST BLOCK DIMENSIONS ARE BASED ON THE MINIMUM ALLOWABLE HORIZONTAL BEARING PRESSURES OF THE SOIL AS SHOWN IF GROUND CONDITIONS ENCOUNTERED INDICATE THAT THESE BEARING PRESSURES MAY NOT BE ACHIEVED, THRUST BLOCK DESIGN IS TO BE REVISED.
- THRUST BLOCKS ARE TO BE CONSTRUCTED SUCH THAT THEY TRANSFER THE THRUST ONTO UNDISTURBED GROUND. THRUST BLOCKS ARE NOT TO INTERFERE WITH OTHER SERVICES.
- FINISH THRUST BLOCKS APPROXIMATELY 100mm ABOVE THE TOP OF THE FITTING OR BEARING PAD AND EXTEND TO THE FLOOR OF THE TRENCH OR DEEPER IF NECESSARY TO ACHIEVE THE REQUIRED THRUST AREA. MAXIMUM ENCASEMENT TO BE 180°.
- CONCRETE FOR THE THRUST BLOCKS TO BE GRADE S25 USING CEMENT TYPE "SR" TO AS3972. CONCRETE TO BE MECHANICALLY VIBRATED.
- CONCRETE THRUST BLOCKS ARE TO BE CURED FOR A MINIMUM OF 7 DAYS BEFORE BEING SUBJECTED TO ANY THRUST LOAD.
- REFER TO WAT-1205-V FOR GENERAL FITTING THRUST BLOCK ARRANGEMENTS.
- REFER TO WAT-1207-V FOR GENERAL VALVE AND VERTICAL BEND THRUST BLOCK ARRANGEMENTS.
- THRUST BLOCK TO EXTEND 300mm MINIMUM INTO BASE AND SIDE WALLS OF TRENCH.
- PROVIDE 3mm THK. INSERTION RUBBER BETWEEN ANCHOR STRAP AND PIPE BARREL.



WARNING
OPTIC FIBRE CABLES
HAVE BEEN IDENTIFIED
IN THIS AREA

WARNING
HIGH PRESSURE GASMAINS
HAVE BEEN IDENTIFIED
IN THIS AREA

PRELIMINARY ISSUE
NOT FOR CONSTRUCTION

CONSULTANT DETAILS:		ADW Johnson ABN 62 129 445 398 Hunter Office Unit 7/355, Hillsborough Road, Warners Bay N.S.W. 2282 Phone: (02) 4978 5100 Fax: (02) 4978 5199 email: hunter@adwjohnson.com.au www.adwjohnson.com.au	
CONSULTANT REFERENCE No.		239858-WAT-001 to 010	
VERSION 4	A	PRELIMINARY ISSUE	JN 07/04/20
No.	REVISION DETAILS		DWN DATE



DESIGNED:	DATE:	COMPANY:
JN	07/04/20	ADWJ
DRAWN:	DATE:	COMPANY:
JN	07/04/20	ADWJ
CHECKED:	DATE:	COMPANY:
RC	07/04/20	ADWJ
APPROVED:	DATE:	COMPANY:

TITLE:			
PROPOSED WATERMANS GOROKAN ROAD, WYEE WEST			
SIZE:	SCALE:	INDEX No.	DRAWING No.
A1	N.T.S.		
SHEET	REV No.		
001	0A		



WARNING
HIGH PRESSURE GASMAINS
HAVE BEEN IDENTIFIED
IN THIS AREA

WARNING
OPTIC FIBRE CABLES
HAVE BEEN IDENTIFIED
IN THIS AREA

PRELIMINARY ISSUE
NOT FOR CONSTRUCTION

VERSION	No.	REVISION DETAILS	DATE
A		PRELIMINARY ISSUE	07/04/20

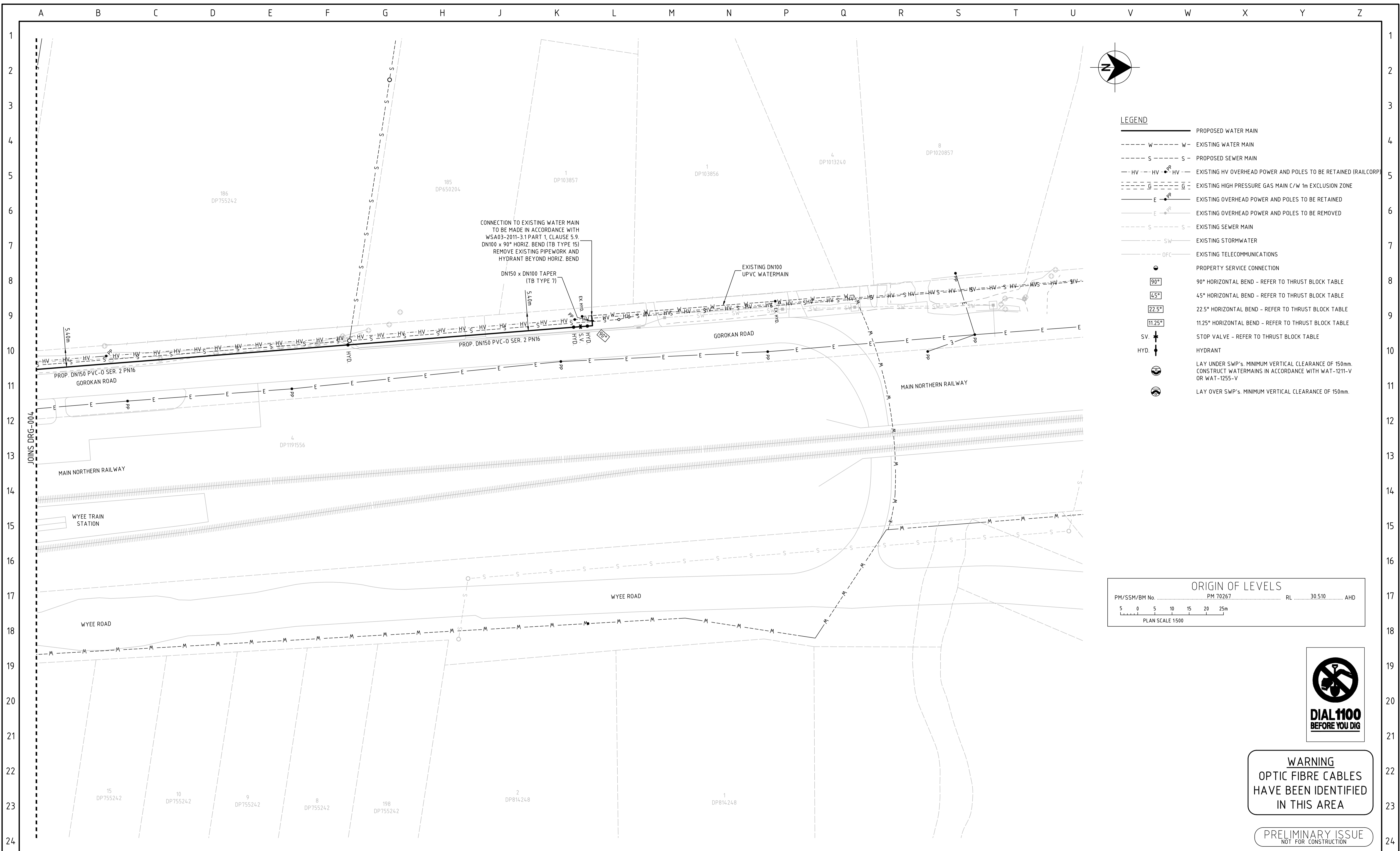
CONSULTANT DETAILS:
ADW Johnson ABN 62 129 445 398
 Hunter Office
 Unit 7/355, Hillsborough Road, Warners Bay N.S.W. 2282
 Phone: (02) 4978 5100 Fax: (02) 4978 5199
 email: hunter@adwjohnson.com.au www.adwjohnson.com.au

CONSULTANT REFERENCE No. 239858-WAT-001 to 010

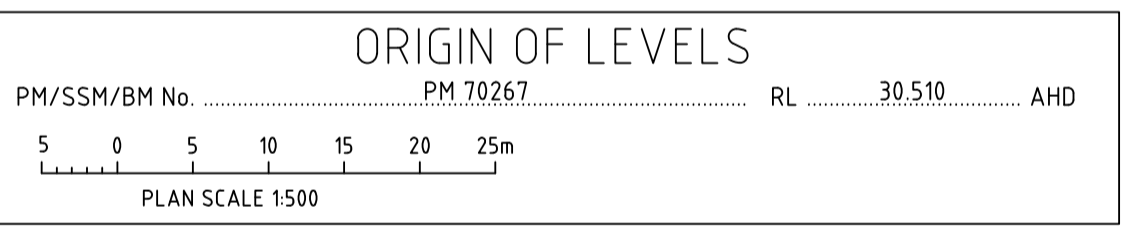


DESIGNED: JN	DATE: 07/04/20	COMPANY: ADWJ
DRAWN: JN	DATE: 07/04/20	COMPANY: ADWJ
CHECKED: RC	DATE: 07/04/20	COMPANY: ADWJ
APPROVED:	DATE:	COMPANY:

TITLE: PROPOSED WATERMAINS GOROKAN ROAD, WYEE WEST		
SIZE: A1	SCALE: 1:2000	INDEX No.
DRAWING No.	SHEET 003	REV No. 0A



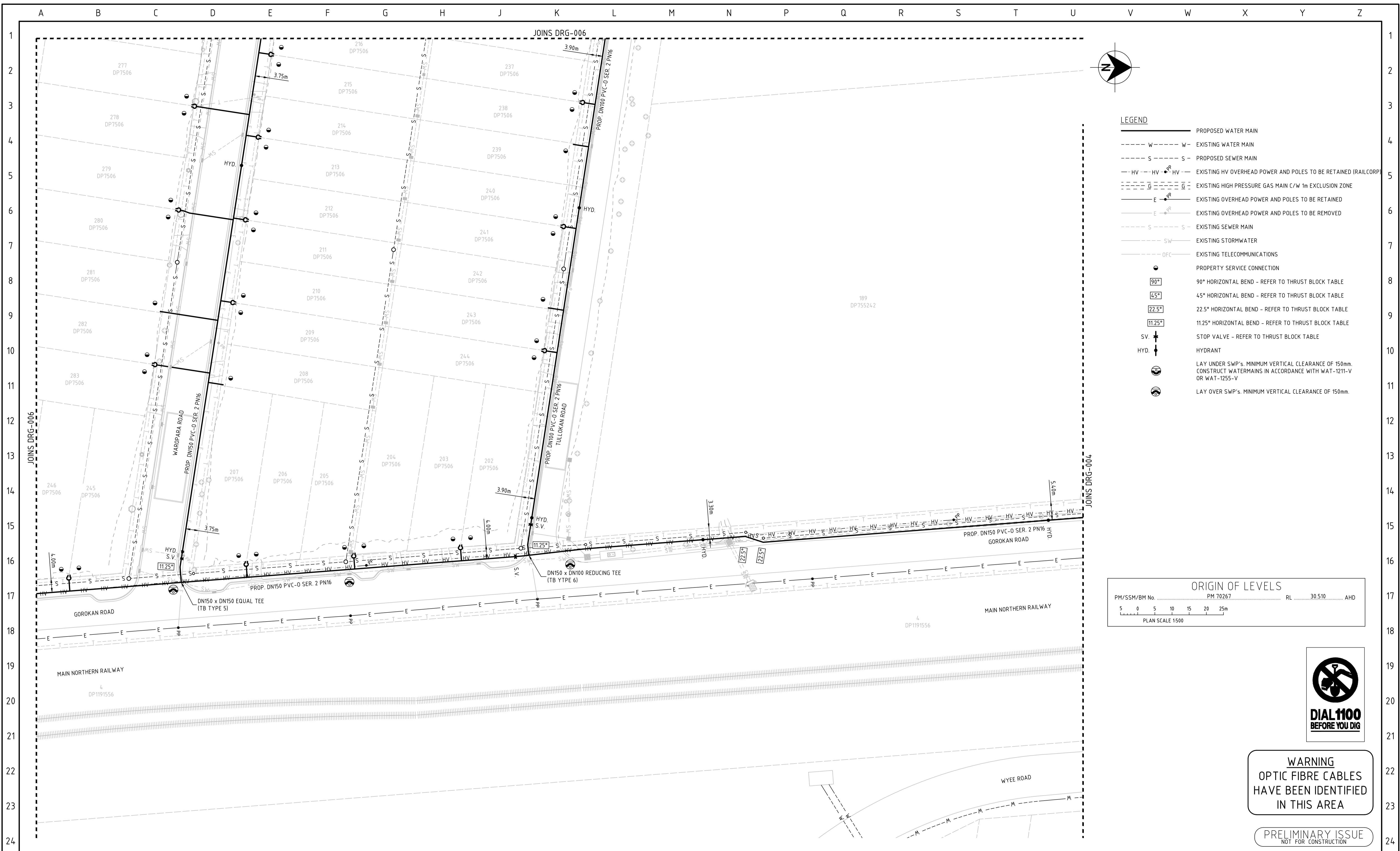
- LEGEND**
- PROPOSED WATER MAIN
 - - - - - W - - - - - EXISTING WATER MAIN
 - - - - - S - - - - - PROPOSED SEWER MAIN
 - HV - - - - - HV - - - - - EXISTING HV OVERHEAD POWER AND POLES TO BE RETAINED (RAILCORP)
 - - - - - G - - - - - EXISTING HIGH PRESSURE GAS MAIN C/W 1m EXCLUSION ZONE
 - E - - - - - E - - - - - EXISTING OVERHEAD POWER AND POLES TO BE RETAINED
 - E - - - - - E - - - - - EXISTING OVERHEAD POWER AND POLES TO BE REMOVED
 - - - - - S - - - - - EXISTING SEWER MAIN
 - - - - - SW - - - - - EXISTING STORMWATER
 - - - - - OFC - - - - - EXISTING TELECOMMUNICATIONS
 - PROPERTY SERVICE CONNECTION
 - 90° 90° HORIZONTAL BEND - REFER TO THRUST BLOCK TABLE
 - 45° 45° HORIZONTAL BEND - REFER TO THRUST BLOCK TABLE
 - 22.5° 22.5° HORIZONTAL BEND - REFER TO THRUST BLOCK TABLE
 - 11.25° 11.25° HORIZONTAL BEND - REFER TO THRUST BLOCK TABLE
 - SV. STOP VALVE - REFER TO THRUST BLOCK TABLE
 - HYD. HYDRANT
 - LAY UNDER SWP's. MINIMUM VERTICAL CLEARANCE OF 150mm. CONSTRUCT WATERMANS IN ACCORDANCE WITH WAT-1211-V OR WAT-1255-V
 - LAY OVER SWP's. MINIMUM VERTICAL CLEARANCE OF 150mm.



WARNING
OPTIC FIBRE CABLES
HAVE BEEN IDENTIFIED
IN THIS AREA

PRELIMINARY ISSUE
NOT FOR CONSTRUCTION

CONSULTANT DETAILS: ADW Johnson ABN 62 129 445 398 Hunter Office Unit 7/355, Hillsborough Road, Warners Bay N.S.W. 2282 Phone: (02) 4978 5100 Fax: (02) 4978 5199 email: hunter@adwjohnson.com.au www.adwjohnson.com.au				DESIGNED: JN DATE: 07/04/20 COMPANY: ADWJ DRAWN: JN DATE: 07/04/20 COMPANY: ADWJ CHECKED: RC DATE: 07/04/20 COMPANY: ADWJ	TITLE: PROPOSED WATERMANS GOROKAN ROAD, WYEE WEST
CONSULTANT REFERENCE No. 239858-WAT-001 to 010		APPROVED: DATE: COMPANY:	SIZE: A1 SCALE: 1:500 INDEX No.	DRAWING No.	SHEET 003 REV No. 0A
VERSION L A PRELIMINARY ISSUE JN 07/04/20	REVISION DETAILS				No. DATE



LEGEND

	PROPOSED WATER MAIN
	EXISTING WATER MAIN
	PROPOSED SEWER MAIN
	EXISTING HV OVERHEAD POWER AND POLES TO BE RETAINED (RAILCORP)
	EXISTING HIGH PRESSURE GAS MAIN C/W 1m EXCLUSION ZONE
	EXISTING OVERHEAD POWER AND POLES TO BE RETAINED
	EXISTING OVERHEAD POWER AND POLES TO BE REMOVED
	EXISTING SEWER MAIN
	EXISTING STORMWATER
	EXISTING TELECOMMUNICATIONS
	PROPERTY SERVICE CONNECTION
	90° HORIZONTAL BEND - REFER TO THRUST BLOCK TABLE
	45° HORIZONTAL BEND - REFER TO THRUST BLOCK TABLE
	22.5° HORIZONTAL BEND - REFER TO THRUST BLOCK TABLE
	11.25° HORIZONTAL BEND - REFER TO THRUST BLOCK TABLE
	STOP VALVE - REFER TO THRUST BLOCK TABLE
	HYDRANT
	LAY UNDER SWP's. MINIMUM VERTICAL CLEARANCE OF 150mm. CONSTRUCT WATERMANS IN ACCORDANCE WITH WAT-1211-V OR WAT-1255-V
	LAY OVER SWP's. MINIMUM VERTICAL CLEARANCE OF 150mm.

ORIGIN OF LEVELS

PM/SSM/BM No.	PM 70267	RL	30.510	AHD
--------------------	----------	----	--------	-----

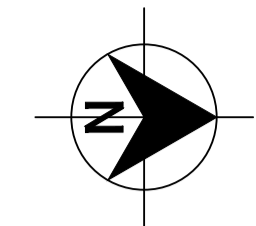
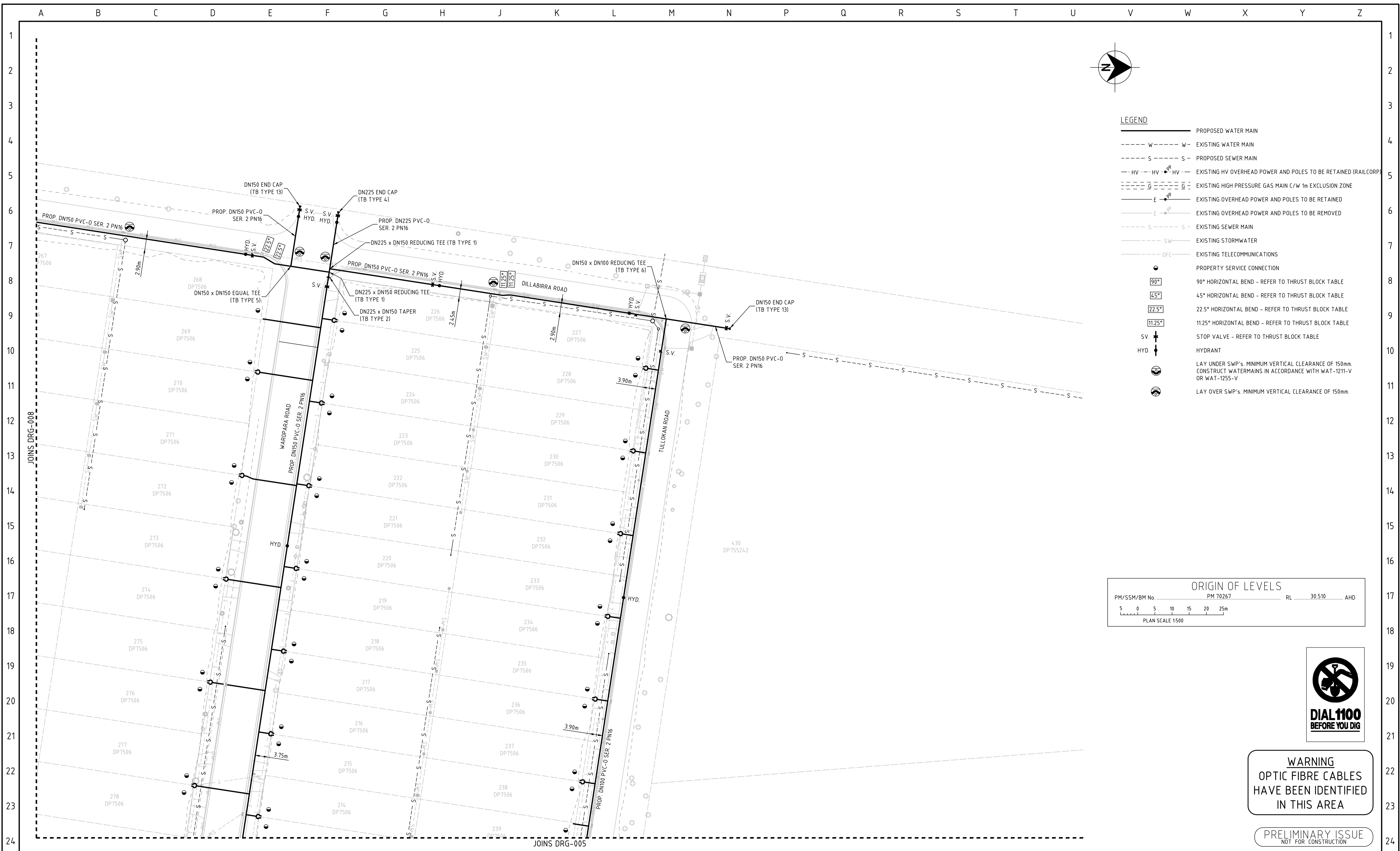
PLAN SCALE 1500



WARNING
OPTIC FIBRE CABLES
HAVE BEEN IDENTIFIED
IN THIS AREA

PRELIMINARY ISSUE
NOT FOR CONSTRUCTION

CONSULTANT DETAILS: ADW Johnson ABN 62 129 445 398 Hunter Office Unit 7/355, Hillsborough Road, Warners Bay N.S.W. 2282 Phone: (02) 4978 5100 Fax: (02) 4978 5199 email: hunter@adwjohnson.com.au www.adwjohnson.com.au				DESIGNED: JN DATE: 07/04/20 COMPANY: ADWJ DRAWN: JN DATE: 07/04/20 COMPANY: ADWJ CHECKED: RC DATE: 07/04/20 COMPANY: ADWJ APPROVED: DATE: COMPANY:	TITLE: PROPOSED WATERMANS GOROKAN ROAD, WYEE WEST
CONSULTANT REFERENCE No. 239858-WAT-001 to 010		SIZE: A1 SCALE: 1:500 INDEX No.	DRAWING No.	SHEET 005 REV No. 0A	



LEGEND

	PROPOSED WATER MAIN
	EXISTING WATER MAIN
	PROPOSED SEWER MAIN
	EXISTING HV OVERHEAD POWER AND POLES TO BE RETAINED (RAILCORP)
	EXISTING HIGH PRESSURE GAS MAIN C/W 1m EXCLUSION ZONE
	EXISTING OVERHEAD POWER AND POLES TO BE RETAINED
	EXISTING OVERHEAD POWER AND POLES TO BE REMOVED
	EXISTING SEWER MAIN
	EXISTING STORMWATER
	EXISTING TELECOMMUNICATIONS
	PROPERTY SERVICE CONNECTION
	90° HORIZONTAL BEND - REFER TO THRUST BLOCK TABLE
	45° HORIZONTAL BEND - REFER TO THRUST BLOCK TABLE
	22.5° HORIZONTAL BEND - REFER TO THRUST BLOCK TABLE
	11.25° HORIZONTAL BEND - REFER TO THRUST BLOCK TABLE
	STOP VALVE - REFER TO THRUST BLOCK TABLE
	HYDRANT
	LAY UNDER SWP's. MINIMUM VERTICAL CLEARANCE OF 150mm. CONSTRUCT WATERMANS IN ACCORDANCE WITH WAT-1211-V OR WAT-1255-V
	LAY OVER SWP's. MINIMUM VERTICAL CLEARANCE OF 150mm.

ORIGIN OF LEVELS

PM/SSM/BM No. PM 70267 RL 30.510 AHD

PLAN SCALE 1:500



WARNING
OPTIC FIBRE CABLES
HAVE BEEN IDENTIFIED
IN THIS AREA

PRELIMINARY ISSUE
NOT FOR CONSTRUCTION

VERSION L	A	PRELIMINARY ISSUE	JN	07/04/20
No.	REVISION DETAILS		DWN	DATE

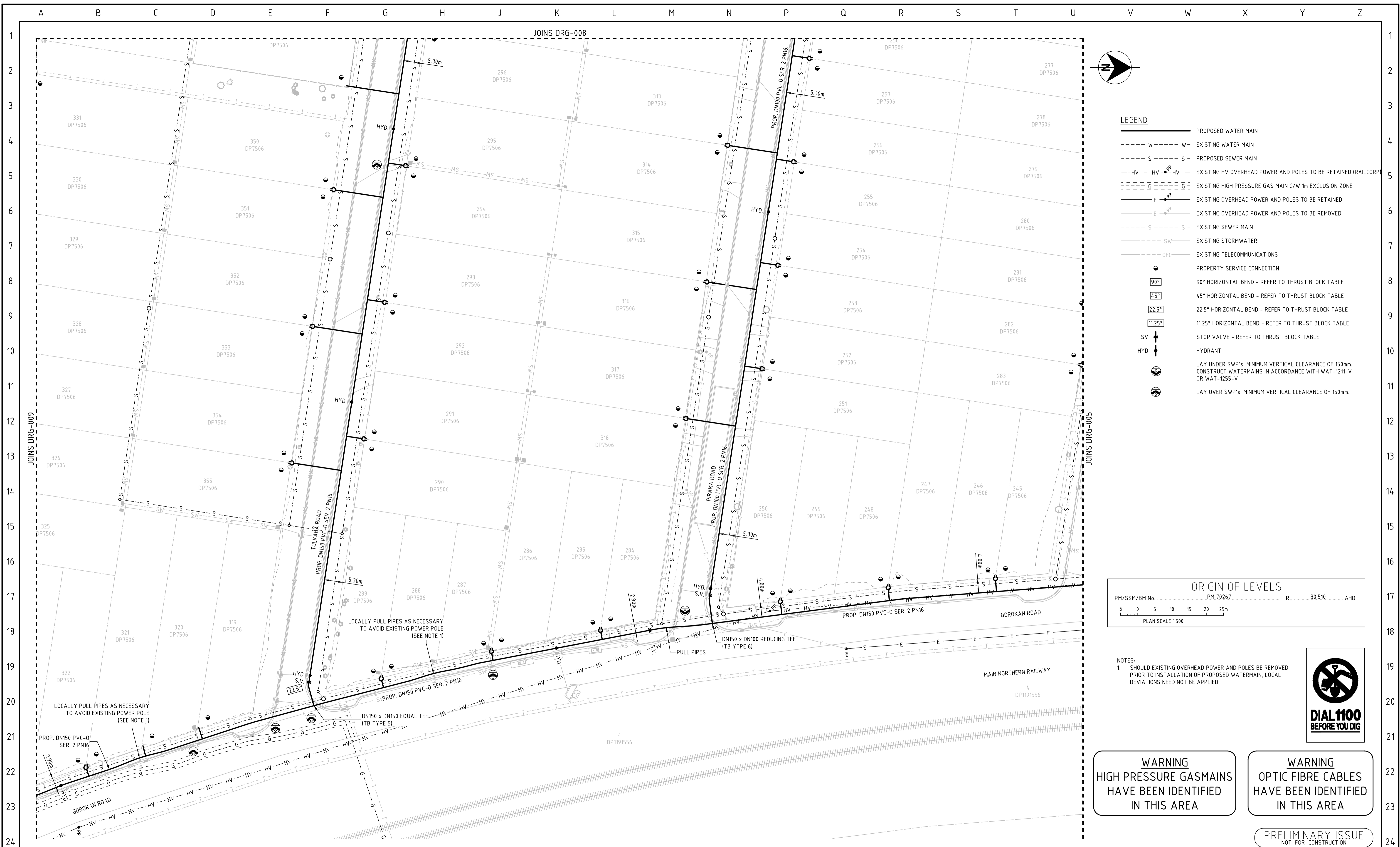
CONSULTANT DETAILS:
ADw Johnson ABN 62 129 445 398
 Hunter Office
 Unit 7/355, Hillsborough Road, Warners Bay N.S.W. 2282
 Phone: (02) 4978 5100 Fax: (02) 4978 5199
 email: hunter@adwjohnson.com.au www.adwjohnson.com.au

CONSULTANT REFERENCE No. 239858-WAT-001 to 010

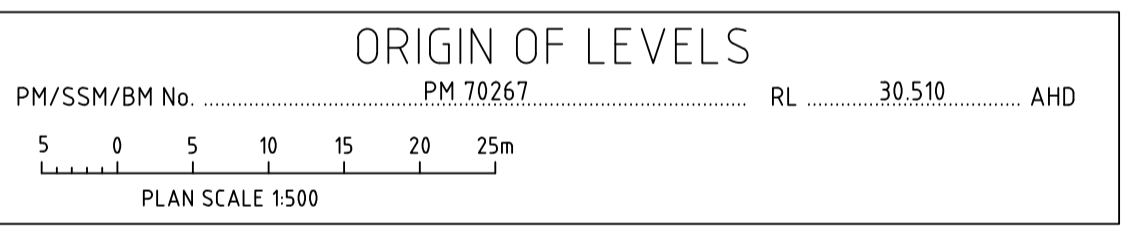


DESIGNED:	DATE:	COMPANY:
JN	07/04/20	ADWJ
DRAWN:	DATE:	COMPANY:
JN	07/04/20	ADWJ
CHECKED:	DATE:	COMPANY:
RC	07/04/20	ADWJ
APPROVED:	DATE:	COMPANY:

TITLE:		
PROPOSED WATERMANS GOROKAN ROAD, WYEE WEST		
SIZE:	SCALE:	INDEX No.
A1	1:500	
DRAWING No.	SHEET	REV No.
	006	0A



- LEGEND**
- PROPOSED WATER MAIN
 - - - - - W - - - - - EXISTING WATER MAIN
 - - - - - S - - - - - PROPOSED SEWER MAIN
 - HV - HV - HV - EXISTING HV OVERHEAD POWER AND POLES TO BE RETAINED (RAILCORP)
 - - - - - G - - - - - EXISTING HIGH PRESSURE GAS MAIN C/W 1m EXCLUSION ZONE
 - E - E - E - EXISTING OVERHEAD POWER AND POLES TO BE RETAINED
 - E - E - E - EXISTING OVERHEAD POWER AND POLES TO BE REMOVED
 - - - - - S - - - - - EXISTING SEWER MAIN
 - - - - - SW - - - - - EXISTING STORMWATER
 - - - - - OFC - - - - - EXISTING TELECOMMUNICATIONS
 - PROPERTY SERVICE CONNECTION
 - 90° 90° HORIZONTAL BEND - REFER TO THRUST BLOCK TABLE
 - 45° 45° HORIZONTAL BEND - REFER TO THRUST BLOCK TABLE
 - 22.5° 22.5° HORIZONTAL BEND - REFER TO THRUST BLOCK TABLE
 - 11.25° 11.25° HORIZONTAL BEND - REFER TO THRUST BLOCK TABLE
 - SV. STOP VALVE - REFER TO THRUST BLOCK TABLE
 - HYD. HYDRANT
 - LAY UNDER SWP's. MINIMUM VERTICAL CLEARANCE OF 150mm. CONSTRUCT WATERMANS IN ACCORDANCE WITH WAT-1211-V OR WAT-1255-V
 - LAY OVER SWP's. MINIMUM VERTICAL CLEARANCE OF 150mm.



NOTES:
 1. SHOULD EXISTING OVERHEAD POWER AND POLES BE REMOVED PRIOR TO INSTALLATION OF PROPOSED WATERMAIN, LOCAL DEVIATIONS NEED NOT BE APPLIED.



WARNING
 HIGH PRESSURE GASMAINS
 HAVE BEEN IDENTIFIED
 IN THIS AREA

WARNING
 OPTIC FIBRE CABLES
 HAVE BEEN IDENTIFIED
 IN THIS AREA

PRELIMINARY ISSUE
 NOT FOR CONSTRUCTION

VERSION L	A	PRELIMINARY ISSUE	JN	07/04/20
No.	REVISION DETAILS		DWN	DATE

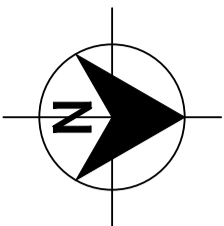
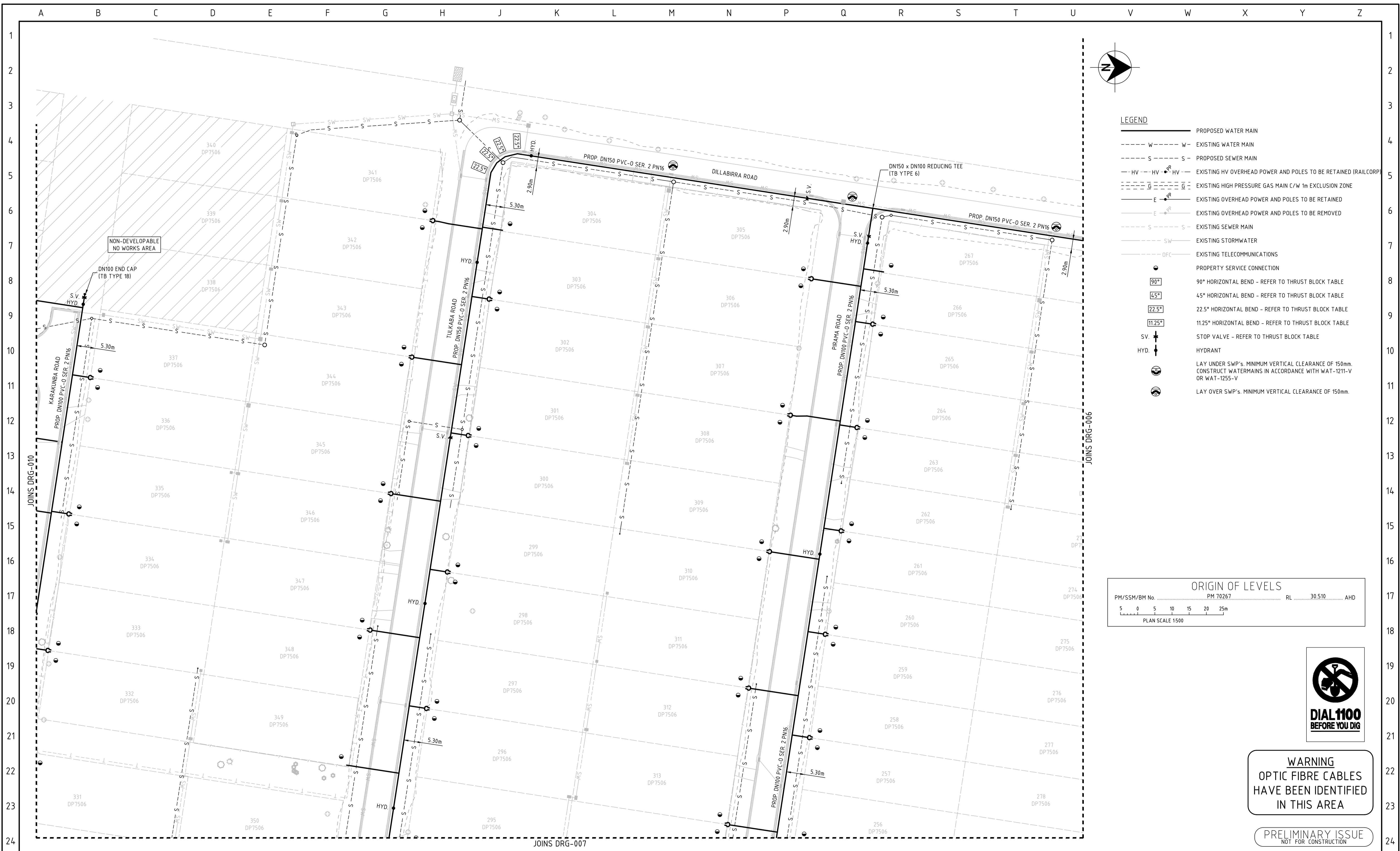
CONSULTANT DETAILS:
ADw Johnson ABN 62 129 445 398
 Hunter Office
 Unit 7/355, Hillsborough Road, Warners Bay N.S.W. 2282
 Phone: (02) 4978 5100 Fax: (02) 4978 5199
 email: hunter@adwjohnson.com.au www.adwjohnson.com.au

CONSULTANT REFERENCE No. 239858-WAT-001 to 010

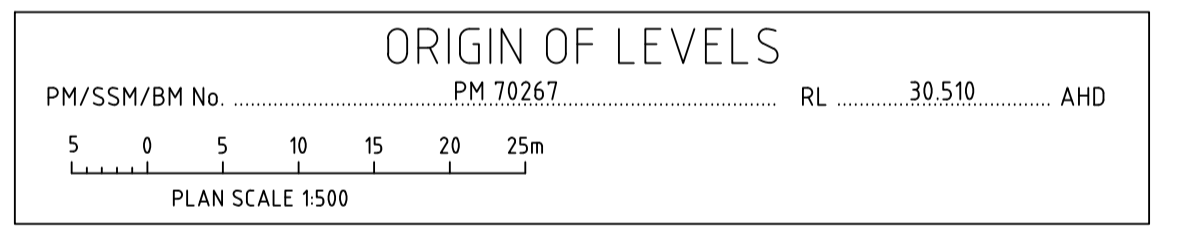


DESIGNED:	DATE:	COMPANY:
JN	07/04/20	ADWJ
DRAWN:	DATE:	COMPANY:
JN	07/04/20	ADWJ
CHECKED:	DATE:	COMPANY:
RC	07/04/20	ADWJ
APPROVED:	DATE:	COMPANY:

TITLE:		
PROPOSED WATERMANS GOROKAN ROAD, WYEE WEST		
SIZE:	SCALE:	INDEX No.
A1	1:500	
DRAWING No.	SHEET	REV No.
	007	0A



- LEGEND**
- PROPOSED WATER MAIN
 - - - - - W - - - - - EXISTING WATER MAIN
 - - - - - S - - - - - PROPOSED SEWER MAIN
 - HV - HV - HV - EXISTING HV OVERHEAD POWER AND POLES TO BE RETAINED (IRAILCORP)
 - - - - - G - - - - - EXISTING HIGH PRESSURE GAS MAIN C/W 1m EXCLUSION ZONE
 - E - E - E - EXISTING OVERHEAD POWER AND POLES TO BE RETAINED
 - E - E - E - EXISTING OVERHEAD POWER AND POLES TO BE REMOVED
 - - - - - S - - - - - EXISTING SEWER MAIN
 - - - - - SW - - - - - EXISTING STORMWATER
 - - - - - OFC - - - - - EXISTING TELECOMMUNICATIONS
 - PROPERTY SERVICE CONNECTION
 - 90° 90° HORIZONTAL BEND - REFER TO THRUST BLOCK TABLE
 - 45° 45° HORIZONTAL BEND - REFER TO THRUST BLOCK TABLE
 - 22.5° 22.5° HORIZONTAL BEND - REFER TO THRUST BLOCK TABLE
 - 11.25° 11.25° HORIZONTAL BEND - REFER TO THRUST BLOCK TABLE
 - SV. STOP VALVE - REFER TO THRUST BLOCK TABLE
 - HYD. HYDRANT
 - LAY UNDER SWP'S. MINIMUM VERTICAL CLEARANCE OF 150mm. CONSTRUCT WATERMANS IN ACCORDANCE WITH WAT-1211-V OR WAT-1255-V
 - LAY OVER SWP'S. MINIMUM VERTICAL CLEARANCE OF 150mm.



WARNING
OPTIC FIBRE CABLES
HAVE BEEN IDENTIFIED
IN THIS AREA

PRELIMINARY ISSUE
NOT FOR CONSTRUCTION

VERSION L					
A	PRELIMINARY ISSUE	JN	07/04/20		
No.	REVISION DETAILS	DWN	DATE		

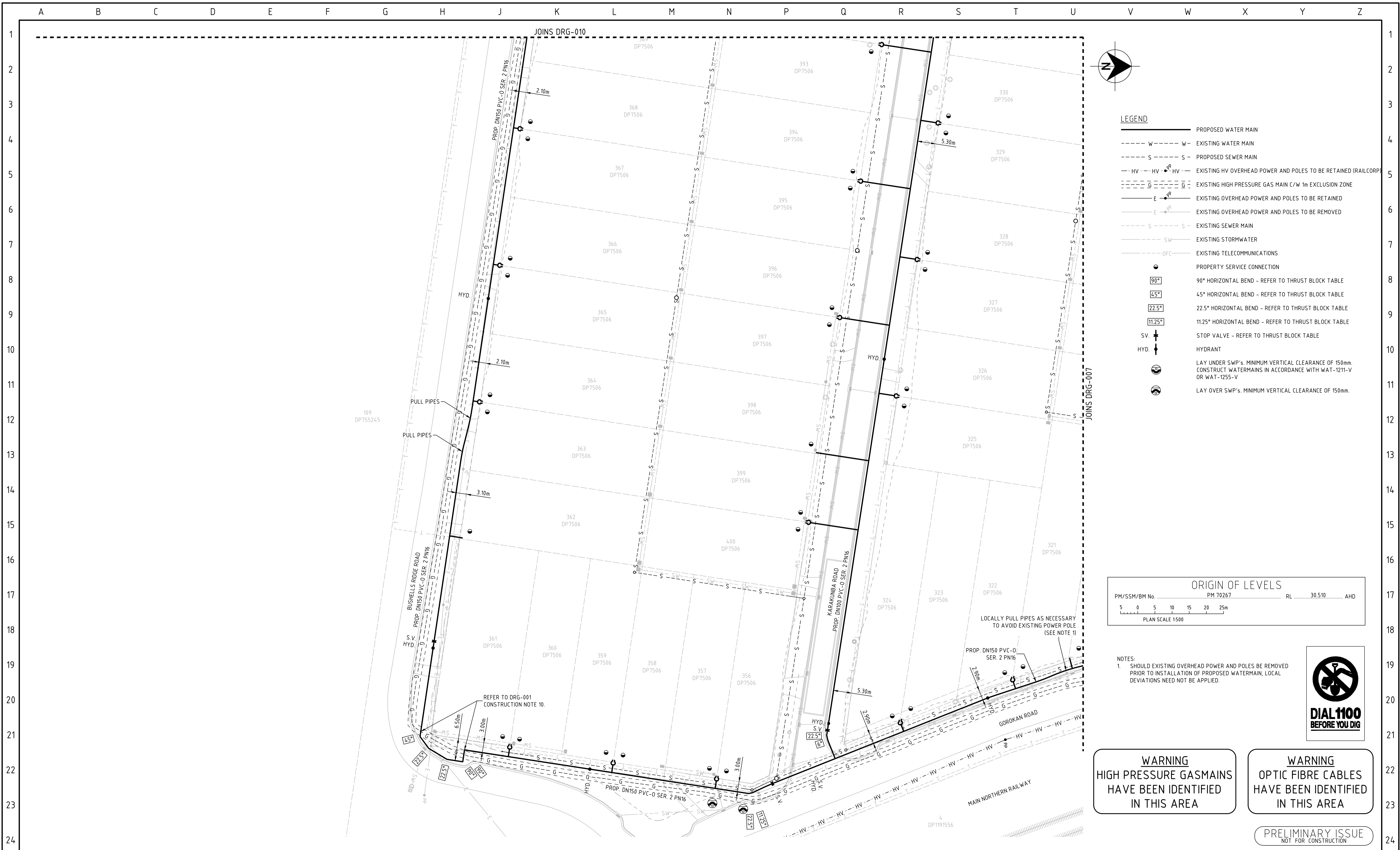
CONSULTANT DETAILS:
ADW Johnson ABN 62 129 445 398
 Hunter Office
 Unit 7/355, Hillsborough Road, Warners Bay N.S.W. 2282
 Phone: (02) 4978 5100 Fax: (02) 4978 5199
 email: hunter@adwjohnson.com.au www.adwjohnson.com.au

CONSULTANT REFERENCE No. 239858-WAT-001 to 010



DESIGNED:	DATE:	COMPANY:
JN	07/04/20	ADWJ
DRAWN:	DATE:	COMPANY:
JN	07/04/20	ADWJ
CHECKED:	DATE:	COMPANY:
RC	07/04/20	ADWJ
APPROVED:	DATE:	COMPANY:

TITLE:		
PROPOSED WATERMANS GOROKAN ROAD, WYEE WEST		
SIZE:	SCALE:	INDEX No.
A1	1:500	
DRAWING No.	SHEET	REV No.
	008	0A



LEGEND

- PROPOSED WATER MAIN
- - - - - W - - - - - EXISTING WATER MAIN
- - - - - S - - - - - PROPOSED SEWER MAIN
- HV - HV - HV - EXISTING HV OVERHEAD POWER AND POLES TO BE RETAINED (IRAILCORP)
- G - G - G - EXISTING HIGH PRESSURE GAS MAIN C/W 1m EXCLUSION ZONE
- E - E - E - EXISTING OVERHEAD POWER AND POLES TO BE RETAINED
- E - E - E - EXISTING OVERHEAD POWER AND POLES TO BE REMOVED
- S - S - S - EXISTING SEWER MAIN
- SW - SW - SW - EXISTING STORMWATER
- OFC - OFC - OFC - EXISTING TELECOMMUNICATIONS
- PROPERTY SERVICE CONNECTION
- 90° 90° HORIZONTAL BEND - REFER TO THRUST BLOCK TABLE
- 45° 45° HORIZONTAL BEND - REFER TO THRUST BLOCK TABLE
- 22.5° 22.5° HORIZONTAL BEND - REFER TO THRUST BLOCK TABLE
- 11.25° 11.25° HORIZONTAL BEND - REFER TO THRUST BLOCK TABLE
- SV. STOP VALVE - REFER TO THRUST BLOCK TABLE
- HYD. HYDRANT
- LAY UNDER SWP'S. MINIMUM VERTICAL CLEARANCE OF 150mm. CONSTRUCT WATERMANS IN ACCORDANCE WITH WAT-1211-V OR WAT-1255-V
- LAY OVER SWP'S. MINIMUM VERTICAL CLEARANCE OF 150mm.

ORIGIN OF LEVELS

PM/SSM/BM No. PM 70267 RL 30.510 AHD

5 0 5 10 15 20 25m

PLAN SCALE 1:500

NOTES:

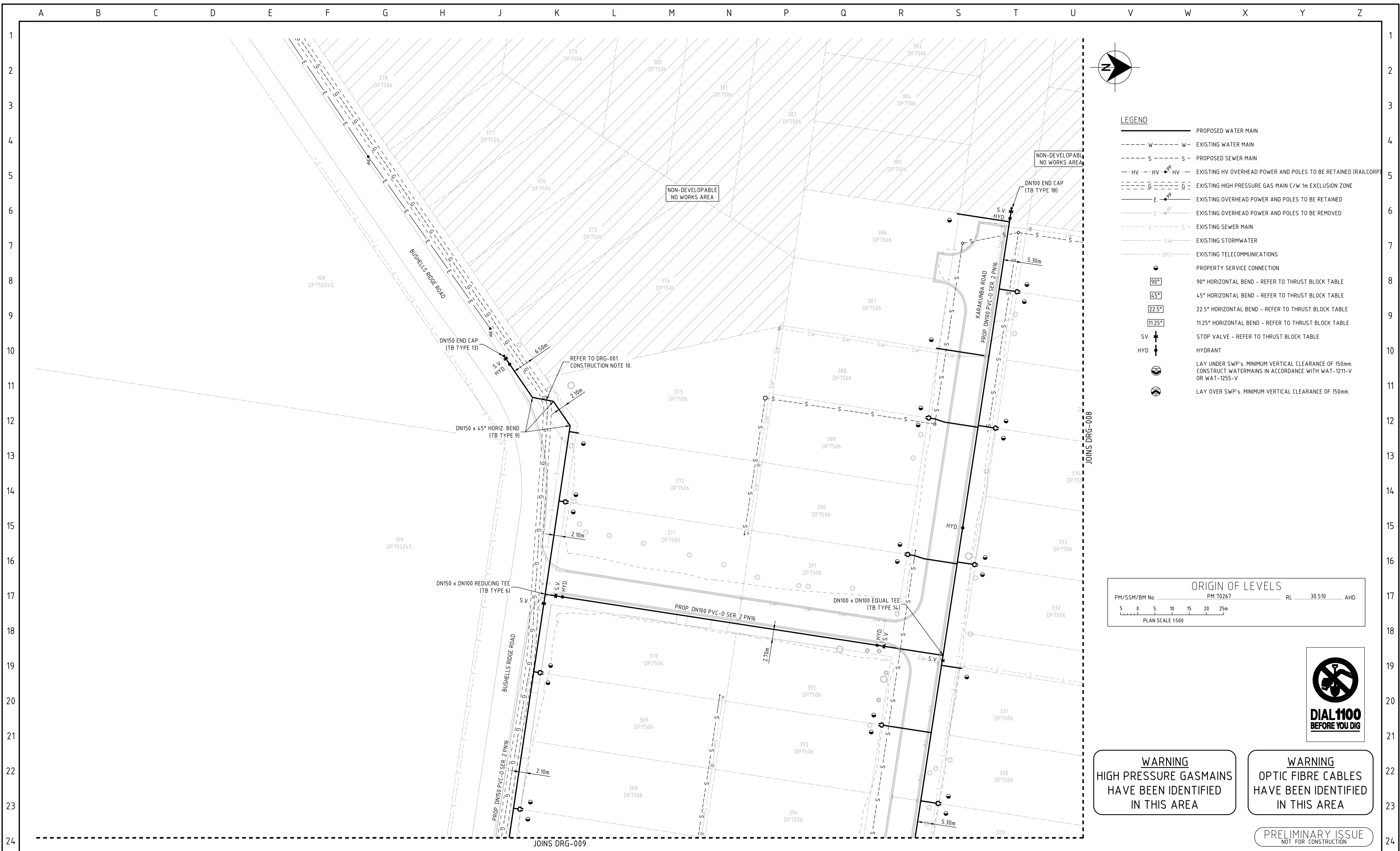
1. SHOULD EXISTING OVERHEAD POWER AND POLES BE REMOVED PRIOR TO INSTALLATION OF PROPOSED WATERMAIN, LOCAL DEVIATIONS NEED NOT BE APPLIED.

WARNING
HIGH PRESSURE GASMAINS
HAVE BEEN IDENTIFIED
IN THIS AREA

WARNING
OPTIC FIBRE CABLES
HAVE BEEN IDENTIFIED
IN THIS AREA

PRELIMINARY ISSUE
NOT FOR CONSTRUCTION

CONSULTANT DETAILS:		DESIGNED:		DATE:		COMPANY:		TITLE:	
ADW Johnson ABN 62 129 445 398		JN		07/04/20		ADWJ		PROPOSED WATERMANS GOROKAN ROAD, WYEE WEST	
Hunter Office		DRAWN:		DATE:		COMPANY:			
Unit 7/355, Hillsborough Road, Warners Bay N.S.W. 2282		JN		07/04/20		ADWJ			
Phone: (02) 4978 5100 Fax: (02) 4978 5199		CHECKED:		DATE:		COMPANY:			
email: hunter@adwjohnson.com.au www.adwjohnson.com.au		RC		07/04/20		ADWJ		SIZE: SCALE: INDEX No.	
CONSULTANT REFERENCE No.		APPROVED:		DATE:		COMPANY:		DRAWING No.	
239858-WAT-001 to 010		[Signature]						SHEET	
VERSION L		A		PRELIMINARY ISSUE		JN		07/04/20	
No.		REVISION DETAILS		DWN		DATE		REV No.	
								009	
								0A	



LEGEND

	PROPOSED WATER MAIN
	EXISTING WATER MAIN
	PROPOSED SEWER MAIN
	EXISTING HV OVERHEAD POWER AND POLES TO BE RETAINED (IRAILCORP)
	EXISTING HIGH PRESSURE GAS MAIN C/W 1m EXCLUSION ZONE
	EXISTING OVERHEAD POWER AND POLES TO BE RETAINED
	EXISTING OVERHEAD POWER AND POLES TO BE REMOVED
	EXISTING SEWER MAIN
	EXISTING STORMWATER
	EXISTING TELECOMMUNICATIONS
	PROPERTY SERVICE CONNECTION
	90° HORIZONTAL BEND - REFER TO THRUST BLOCK TABLE
	45° HORIZONTAL BEND - REFER TO THRUST BLOCK TABLE
	22.5° HORIZONTAL BEND - REFER TO THRUST BLOCK TABLE
	11.25° HORIZONTAL BEND - REFER TO THRUST BLOCK TABLE
	STOP VALVE - REFER TO THRUST BLOCK TABLE
	HYDRANT
	LAY UNDER SWP's. MINIMUM VERTICAL CLEARANCE OF 150mm. CONSTRUCT WATERMANS IN ACCORDANCE WITH WAT-1211-V OR WAT-1255-V
	LAY OVER SWP's. MINIMUM VERTICAL CLEARANCE OF 150mm.

ORIGIN OF LEVELS

PM/SSM/BM No. PM 70267 RL 30.510 AHD

5 0 5 10 15 20 25m

PLAN SCALE 1:500



WARNING
HIGH PRESSURE GASMAINS
HAVE BEEN IDENTIFIED
IN THIS AREA

WARNING
OPTIC FIBRE CABLES
HAVE BEEN IDENTIFIED
IN THIS AREA

PRELIMINARY ISSUE
NOT FOR CONSTRUCTION

VERSION L					
No.	REVISION DETAILS	DWN	DATE		
A	PRELIMINARY ISSUE	JN	07/04/20		

CONSULTANT DETAILS:
ADW Johnson ABN 62 129 445 398
 Hunter Office
 Unit 7/355, Hillsborough Road, Warners Bay N.S.W. 2282
 Phone: (02) 4978 5100 Fax: (02) 4978 5199
 email: hunter@adwjohnson.com.au www.adwjohnson.com.au

CONSULTANT REFERENCE No. **239858-WAT-001 to 010**



DESIGNED:	DATE:	COMPANY:
JN	07/04/20	ADWJ
DRAWN:	DATE:	COMPANY:
JN	07/04/20	ADWJ
CHECKED:	DATE:	COMPANY:
RC	07/04/20	ADWJ
APPROVED:	DATE:	COMPANY:

TITLE:		
PROPOSED WATERMANS GOROKAN ROAD, WYEE WEST		
SIZE:	SCALE:	INDEX No.
A1	1:500	
DRAWING No.	SHEET	REV No.
	010	0A